



# Pro:Centric<sup>®</sup> Smart Set Top Box

## STB-6500 Series



Commercial Lite	Pro:Centric Value	Pro:Centric Direct	<b>Pro:Centric Smart</b>
-----------------	-------------------	--------------------	--------------------------

The STB-6500 platform enables LG partners to deliver applications that optimize the guest experience with features such as:

- Pro:Centric Smart IPTV webOS 5.0 Platform:
  - Updated Chromium Browser, Expanded list of Embedded Smart Apps including "Over-the-Top" video services and games
  - Guest Connectivity: Smart Mirroring, Wi-Fi Direct, Soft Access Point, Smart Share and Bluetooth Sound Sync
- LG's Pro:Centric Direct Application Support for non-Pro:Centric TVs
- Embedded Pro:Idiom<sup>®</sup> decryption for non-Pro:Idiom TVs
- IP Streaming and RF Tuning
- Supports Ultra HD /4K (3,840 x 2,160) and Full HD (up to 1,080p) output resolutions
- DOCSIS 3.0 cable modem upgrade option for IP over coax communications (additional head-end equipment required)

# Pro:Centric Smart Set Top Box

## STB-6500 SERIES

### FEATURE HIGHLIGHTS

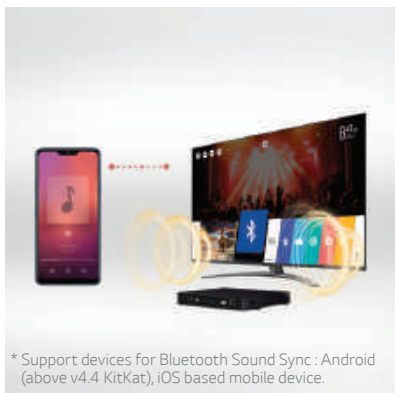
#### SmartShare

SmartShare allows users to share content more easily and quickly across various devices. It also simplifies the process by easily searching for the desired content and share content.



#### Bluetooth Sound Sync

Bluetooth Sound Sync enables users to listen to music on a mobile device through TV speakers via Bluetooth connection.



#### SoftAP

Software-enabled Access Point (Soft AP) functions as WiFi that uses TV as a wireless hotspot, enabling guests to connect their own devices to the Soft AP.



#### Pro:Centric Smart Application Platform

Pro:Centric SMART provides a unique and dedicated hotel applications platform for hosting LG's SI (System Integrator) Partners interactive applications, enabling delivery for a wide range of custom applications tailored to both hotel management and guest needs.

The STB-6500 is a full IPTV platform with built-in IP video decoding supporting both IP and RF connectivity. Leveraging the Pro:Centric IPTV platform enables SI Partners to integrate their client software directly into the STB to enable control of content on LG and other manufacturers commercial televisions.



#### 4K Ultra HD Resolution Output

UHD delivers a resolution four times higher than that of Full HD, creating a more realistic and immersive television viewing experience. The stunning 8.3 million pixels create flawless images with incredibly vivid detail.



#### Hardware Design

STB-6500 is designed for external third party module expansion to deliver additional capabilities such as the DOCSIS 3.0 cable modem card for IP-over-coax installation. This reduces the necessity of cables and connectors, and provides easier installation and management.



\* The external modules must be tested for compatibility with STB-6500.

# Pro:Centric Smart Set Top Box

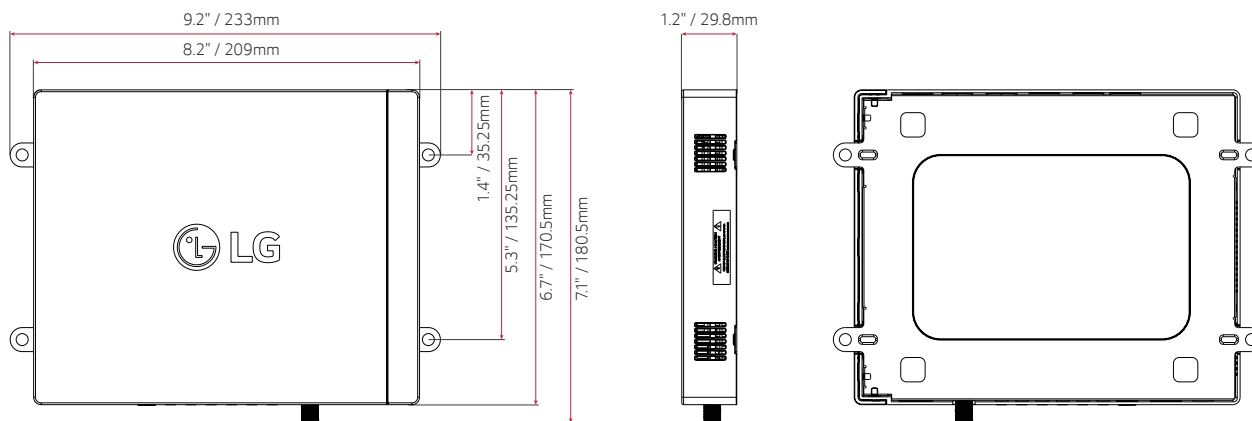
## STB-6500 SERIES

### SPECIFICATIONS

		STB-6500	
VIDEO	Output Resolution	720p / 1366 x 768 / 1080p / 2160p	
	Digital (Terrestrial, Cable, Satellite)	ATSC (Clear QAM)	
	Closed Captioning	Yes	
HOSPITALITY	Data Streaming (IP & RF)	Yes	
	HCAP (GEM / FLASH / HTML)	GEM / HTML5	
	IP Return Path	Yes	
	Multicast / Unicast ready	Yes / Yes	
	Pro:Centric webRTC (Real Time Communication)	Yes (Javascript only)	
	HCAP Input Device Driver Support	Yes (USB Mouse, USB Keyboard, Magic Remote, USB Camera, Remote App)	
	Quick Menu (Version)	Yes (4.0)	
	Pro:Idiom (S/W, Mobile, Lite)	Yes	
	SMART FEATURES	webOS (Version)	Yes (webOS 5.0)
		Smart Home (Launcher Bar)	Yes
Gallery Mode		Yes	
Web Browser		Yes	
Pre-loaded App		Yes	
SDP Server compatibility		Yes	
Magic Remote Compatibility		Yes	
Clock (World Clock / Alarm)		Yes	
SoftAP		Yes	
Wi-Fi		Yes	
Screen Share (Miracast / WiDi)		Yes	
Smart Share (DLNA)		Yes	
LG Connect (LG TV Plus App)		Yes	
Dial		Yes	
Bluetooth Sound Sync (Audio Playback)		Yes	
Mobile Connection Overlay		Yes	
OTHER FEATURES		First Use Wizard	Yes
		USB Cloning	Yes
		Update Time	Yes
		WOL	Yes
	SNMP	Yes	
	Diagnostics (IP Remote)	Yes	
	SI Compatible	Yes (MPI, RS-232C)	
	Simplink (HDMI-CEC) plus CEC-HTNG	Yes (1.4)	
	IR Out	Yes (MPI, RS-232C)	
	Multi-code IR	Yes	
	Installer Menu	Yes	
	Welcome Screen (Splash Image)	Yes	
	Insert Image	Yes	
	One Channel Map	LCM	
	Instant On	Yes	
	VLAN ID	Yes	
	RJP (Remote Jack Pack) Compatibility	HDMI (CEC)	
	Auto Off / Sleep Timer	Yes / Yes	
	Energy Saving Mode	Yes	
	LG Sound Sync	Yes	
Beacon	Yes		

		STB-6500
INTERFACES	External MPI Control (RJ12)	1
	MPI / MTI Television Control (RJ12)	1
	HDMI In	2 (2.0, HDCP 2.2)
	USB In	2 (2.0)
	Power	1
	HDMI Out	1 (2.0, HDCP 2.2)
	Optical Digital Audio Out	1
	Audio Line Out	1
	AV In (3.5mm Jack)	1
	External IR In (3.5mm Jack)	1
	RS-232C Television Control (3.5mm Jack)	1
	External RS-232C Control (3.5mm Jack)	1
	Service	1
	Antenna In / Cable In	1
MECHANICALS	LAN (RJ45)	1
	60-pin Expansion Interface	1
	VESA Compatible	N/A
	Weight	1.6 lbs / 0.72 kg
POWER	Shipping Weight	4.1 lbs / 1.85 kg
	Dimensions	9.2" x 7.1" x 1.2" 233 x 180.5 x 29.8 mm
	Shipping Dimensions	14.4" x 5.6" x 8.6" 366 x 143 x 218 mm
WARRANTY & OTHER	Power Supply	120 Vac, 50 / 60 Hz
	Power Consumption (Max)	60 W
	Power Consumption (Typ.)	14.1 W (STB Only) 44 W (STB + Exp Module)
	Standby Power Consumption	Less than 1.5 W
	Operating Temperature	32°F to 104°F 0°C to 40°C
	Operating Humidity	Less than 80%
	Storage Temperature	-4°F to 140°F -20°C to 60°C
	Storage Humidity	Less than 85%
Included Accessories	Standards	UL
	EMC Certification	FCC
	Warranty	Two-Year Limited
Included Accessories		AC Adapter, Manual, Cables (HDMI, MPI, 3.5mm to RS-232C, AV Adapter)

## DIMENSIONS



## CONNECTIVITY\*



- |                             |                              |                       |                                 |
|-----------------------------|------------------------------|-----------------------|---------------------------------|
| 1 POWER                     | 5 AUDIO LINE OUT             | 9 SERVICE             | 13 HDMI 2                       |
| 2 HDMI IN                   | 6 AV IN                      | 10 ANTENNA / CABLE IN | 14 USB IN 1 / USB IN 2          |
| 3 OPTICAL DIGITAL AUDIO OUT | 7 EXTERNAL IR IN             | 11 LAN                | 15 MPI / MTI TELEVISION CONTROL |
| 4 EXTERNAL RS-232C CONTROL  | 8 RS-232C TELEVISION CONTROL | 12 HDMI 1             | 16 EXTERNAL MPI CONTROL         |

\* Dimensions and jack panels may differ from the above image. Please contact your LG sales team to verify before ordering.



- 🌐 [www.lg.com/us/business/commercial-display](http://www.lg.com/us/business/commercial-display)
- 🐦 [www.twitter.com/LGCommDisplays](https://twitter.com/LGCommDisplays)
- 📘 [www.facebook.com/LGcommercialdisplays](https://www.facebook.com/LGcommercialdisplays)
- 🌐 [www.linkedin.com/company/lg-commercial-displays-usa](https://www.linkedin.com/company/lg-commercial-displays-usa)
- 📺 [www.youtube.com/lgcommercialdisplayusa](https://www.youtube.com/lgcommercialdisplayusa)
- ☎️ 800-228-1236 | Hospitality Sales

LG may make changes to specifications and product descriptions without notice.

© Copyright 2021 LG Electronics USA, Inc., 2000 Millbrook Dr., Lincolnshire, IL 60069, USA. All rights reserved. LG and the LG logo are registered trademarks of LG Corp. All other trademarks are the property of their respective owners. Prices and products may vary by dealer.

Prices, designs, features and specifications are subject to change without notice. All screen images are simulated. Pro:Centric and the "Pro:Centric" logo are registered trademarks of LG Electronics Inc. Pro:Idiom is a registered trademark of Zenith Electronics LLC.

LG\_SPEC\_SHEET\_STB-6500\_0121SD\_LR